

6

5

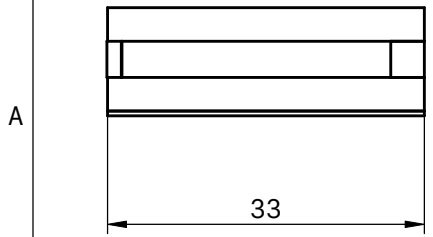
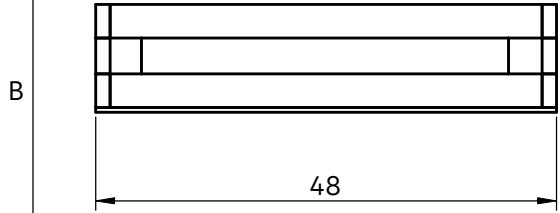
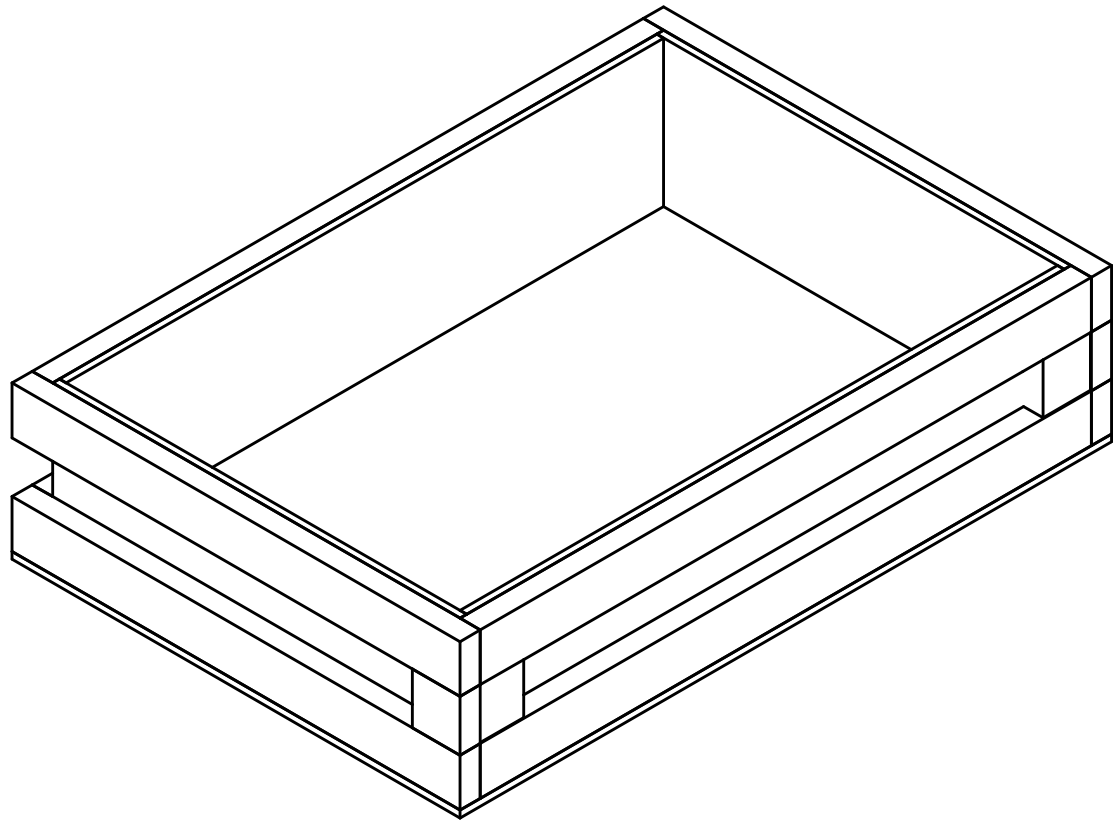
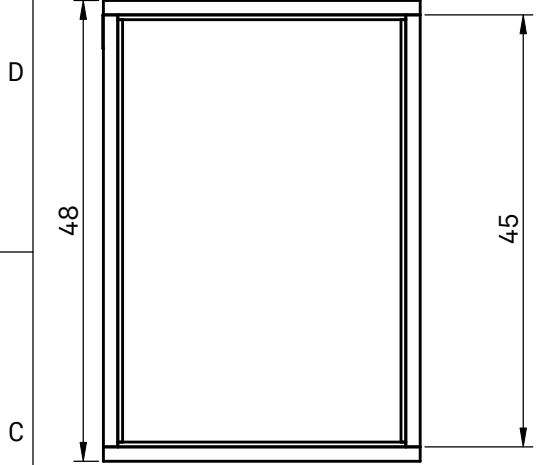
4

3

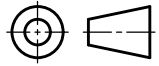
2

1

Raw Material List:
1x Plywood Sheet 1/2 x 48 x 96



SCALE 1:10

TITLE		
Final Assembly		
LAST UPDATED	UNITS	SHEET
11/19/22	in	1 / 1
THIRD ANGLE PROJECTION	SCALE	SIZE
	1:20	A

6

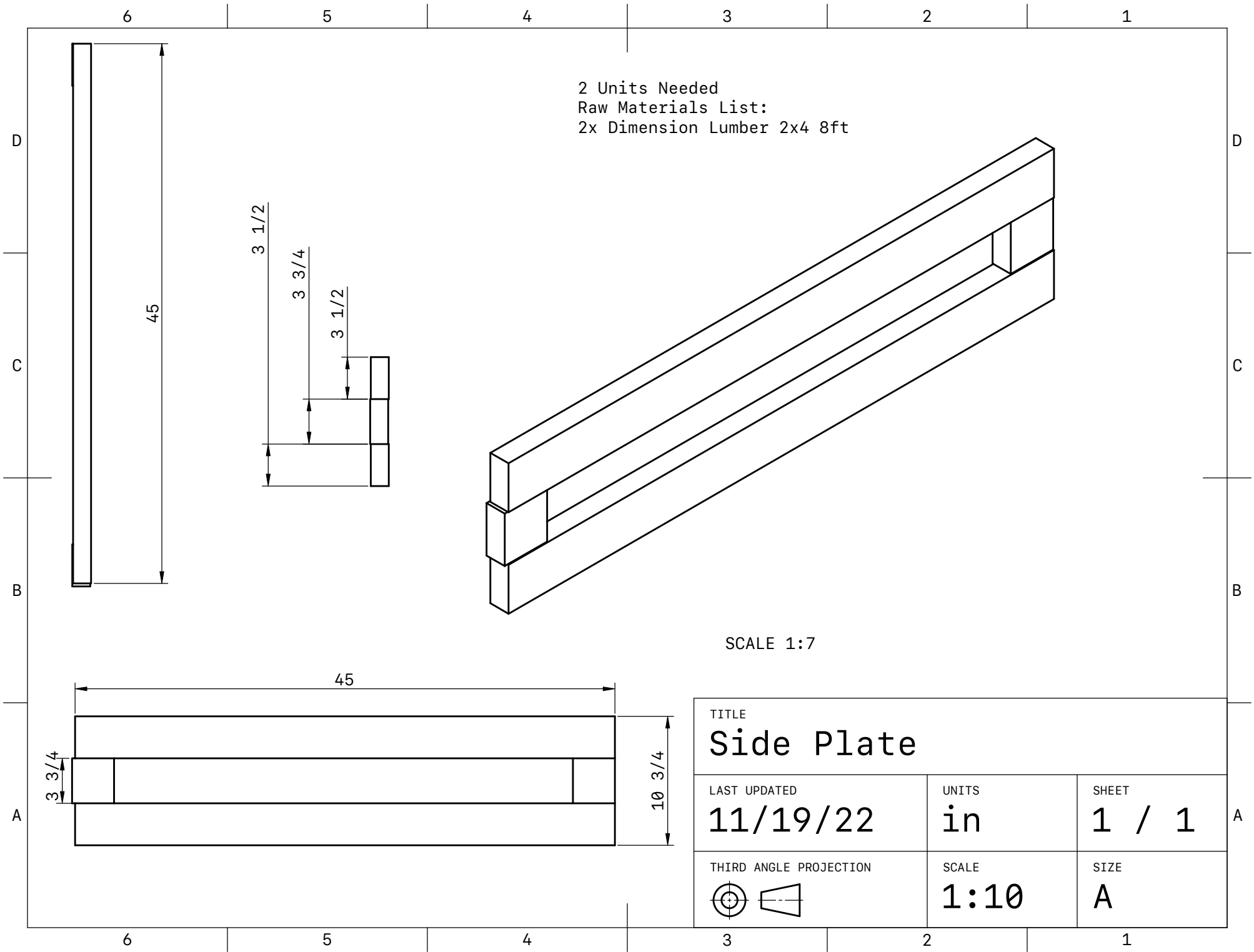
5

4

3

2

1



6

5

4

3

2

1

D

D

C

C

B

B

A

A

45

3 1/2

3 3/4

3 1/2

45

3 3/4

10 3/4

6

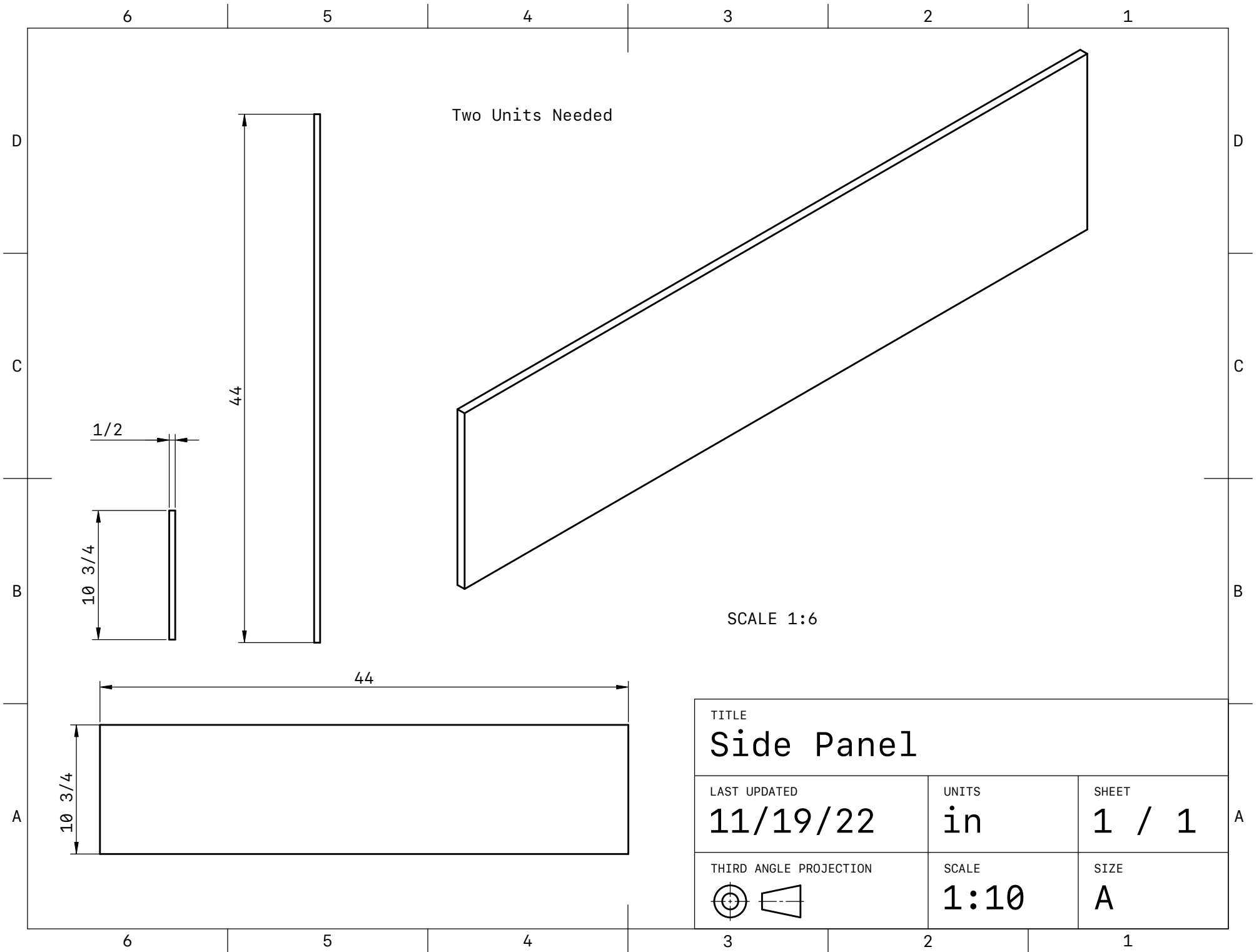
5

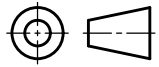
4

3

2

1



TITLE		
Side Panel		
LAST UPDATED	UNITS	SHEET
11/19/22	in	1 / 1
THIRD ANGLE PROJECTION	SCALE	SIZE
	1:10	A

6

5

4

3

2

1

D

D

C

C

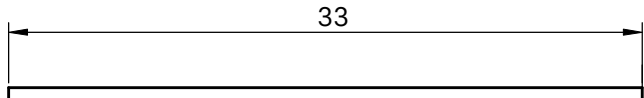
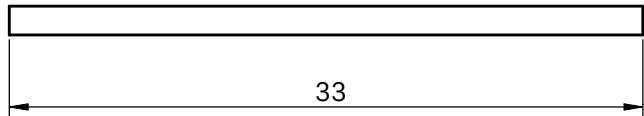
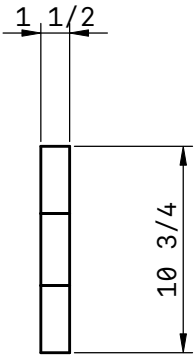
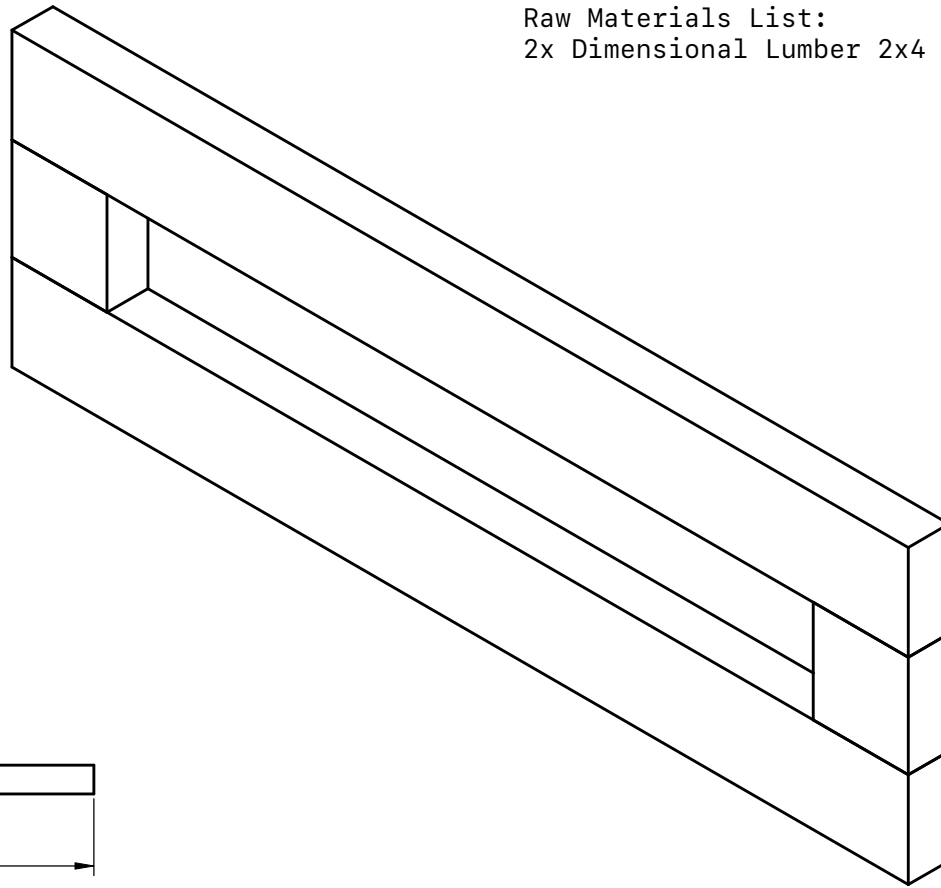
B

B

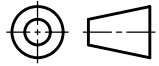
A

A

2 Units Needed
 Raw Materials List:
 2x Dimensional Lumber 2x4 8ft



SCALE 1:5

TITLE Front and Back Plate		
LAST UPDATED 11/19/22	UNITS in	SHEET 1 / 1
THIRD ANGLE PROJECTION 	SCALE 1:10	SIZE A

6

5

4

3

2

1

6

5

4

3

2

1

D

D

Two Units Needed

C

C

1/2

10 3/4

B

B

30

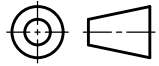
SCALE 1:5

A

A

30

10 3/4

TITLE		
Front Panel		
LAST UPDATED	UNITS	SHEET
11/19/22	in	1 / 1
THIRD ANGLE PROJECTION	SCALE	SIZE
	1:10	A

